

# FRP MANHOLE COVER



[www.edgeoverexports.com](http://www.edgeoverexports.com)



**STRONG  
AND LONG  
LASTING**



**600x600**

**FRP**

# CONTENTS

About Us	03
Designs	04
Colour Options for FRP covers	05
Size Details	06
Packaging Size Details	07
Product Advantage and Uses	08
Comparison Table: FRP vs CI vs DI vs Concrete Manhole covers	09
Covering the Future: Strong, Lightweight and Reliable	10
Instruction of Installation	11
Our Production Facility	12
Contact Us	13



## **ABOUT US**

FRP Manhole Covers (Fiberglass Reinforced Plastic) are a type of composite manhole cover that is made of polyesters and fiber glass. This light weight manhole cover is exceptional when it comes to durability, strength, and corrosion resistance. You must ditch the traditional manhole covers.

We are exporters of high quality FRP Manhole Covers. We always source goods from the leading manufactures that follow in-house quality control process of inspection and certification. While procuring goods from the manufacturers, we ensure that the manufactured products are produced and maintained to a high standard. Quality Control (QC) involves testing units to determine if they are within the specifications for the final product.

FRP manhole covers are designed to withstand the test of time. Their lightweight nature allows for easier installation in busy traffic areas, reducing disruption during maintenance. Despite their lightness, FRP covers are robust enough to handle the heavy loads associated with vehicular traffic, ensuring the safety and reliability of the roadways

# MORE THAN JUST DESIGN

Single shape, many solutions — square FRP covers available in multiple sizes. Designed for strength, safety, and modern infrastructure. All products are lab-tested to ensure quality and performance.





# COLOUR OPTIONS FOR FRP COVERS

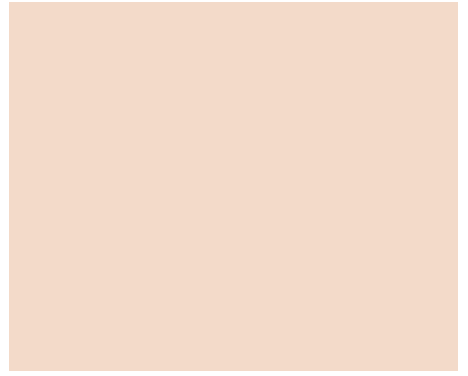
Black



Sea Green



Light Biege



Dark Grey



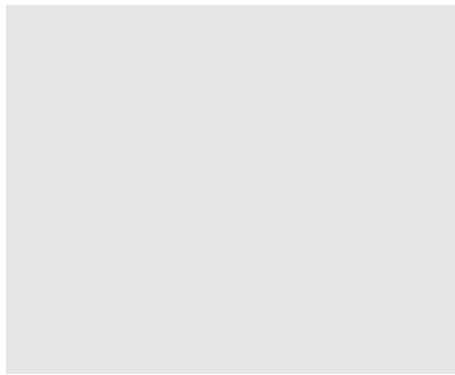
Mint Green



Yellow & brick red



White



Sky Blue



# SIZE DETAILS

Where,

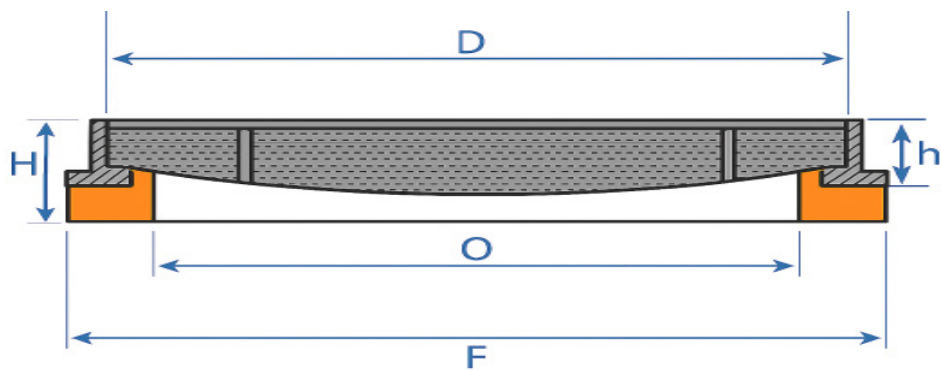
F = Frame Cover Full size

O = Clear opening

D = Cover Size

H = Frame Height

h = Cover Thickness



Item Code	Loading capacity (MT)	Frame Cover Full Size (F) (inch)	Frame Cover Full Size (F) (mm)	Clear Opening (O) (mm)	Cover Size (D) (mm)	Frame Height (H) (mm)	Cover Thickness (h) (mm)	Net Weight (Kg.)
EFG-1	5	10 x 10	250 x 250	184 x 184	205 x 205	24	13	2.1
EFG-2	5	12 x 12	300 x 300	230 x 230	250 x 250	24	14	3.2
EFG-3	5	15 x 15	375 x 375	305 x 305	330 x 330	28	13	4.7
EFG-4	5	18 x 18	450 x 450	370 x 370	400 x 400	30	16	7.0
EFG-5	5	18 x 24	450 x 600	370 x 510	400 x 545	27	16	8.2
EFG-6	5	21 x 21	525 x 525	445 x 445	470 x 470	30	15	8.3
EFG-7	5	24 x 24	600 x 600	510 x 510	545 x 545	30	15	13
EFG-8	5	28 x 28	700 x 700	620 x 620	650 x 650	28	17	19.5
EFG-9	5	30 x 30	750 x 750	660 x 660	700 x 700	32	21	25.25
EFG-10	5	36 x 36	900 x 900	800 x 800	840 x 840	42	21	40.6



## PACKING SIZE DETAILS

Item Code	Frame Cover Full Size (F) (inch)	Frame Cover Full Size (F) (mm)	Master Box Size (L x W x H) (mm)	PCS / Master Box
EFG-1	10 x 10	250 x 250	285 X 285 X 315	10 PCS
EFG-2	12 x 12	300 x 300	335 X 335 X 365	10 PCS
EFG-3	15 x 15	375 x 375	410 X 410 X 305	10 PCS
EFG-4	18 x 18	450 x 450	490 X 200 X 500	6 PCS
EFG-5	18 x 24	450 x 600	485 X 150 X 635	4 PCS
EFG-6	21 x 21	525 x 525	560 X 145 X 560	4 PCS
EFG-7	24 x 24	600 x 600	635 X 110 X 635	3 PCS
EFG-8	28 x 28	700 x 700	725 X 45 X 725	1 PCS
EFG-9	30 x 30	750 x 750	780 X 50 X 780	1 PCS
EFG-10	36 x 36	900 x 900	920 X 50 X 920	1 PCS

# PRODUCT ADVANTAGES AND USES



## Light in Weight

The Density of Product is only  $\frac{1}{4}$  of that steel But Strength is as well to Steel, Its widely Used in traffic Roads, Such as Urban & Rural Roads, Airports, Building Draining System, Gas Station, Telecommunication, Waterways, and Many Mores.

## Wear Resistant and Anti Static

Normally use in all temp range  $-40^{\circ}\text{C}$  to  $80^{\circ}\text{C}$ , Products are Anti static in Property, so its Highly safe Compare to Steel Manhole Covers.

## Life time Colour

FRP BMC/SMC Manhole Covers Color are Mixed With Product Preparation. So no need to re-paint after 2 to 5 year Compare to Steel Cover [Steel Covers Painting Required in Every 02 year].

## Super Corrosion Resistant

FRP BMC Manhole covers are anticorrosive in Nature So Products Life is more than 02 times comparing to Steel (M.S) Manhole Covers.

## FRP covers are safe in toxic gas environment

FRP BMC/SMC Manhole Cover are having property to non corrosive in toxic  $\text{H}_2\text{S}$  Environment in other side M.S. (Steel) Manhole Covers are corrosive in Nature in toxic Environment.



# COMPARISON TABLE: FRP vs CI vs DI vs CONCRETE MANHOLE COVERS

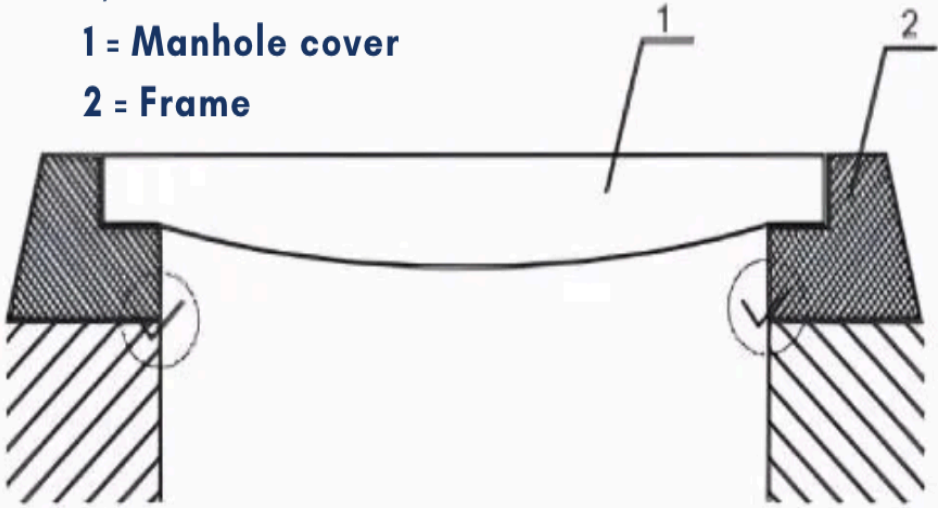
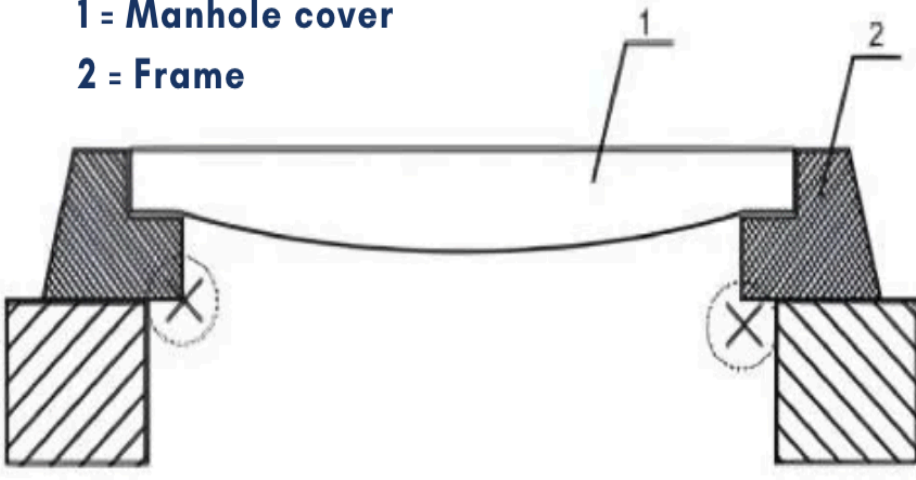
Feature	FRP Manhole Cover	Cast Iron (CI) Cover	Ductile Iron (DI) Cover	Concrete/RCC Cover
<b>Material</b>	Fiber Reinforced Plastic	Cast Iron	Ductile Iron	Reinforced Cement Concrete
<b>Weight</b>	Very light (40-70% lighter)	Very heavy	Heavy	Very heavy
<b>Strength</b>	High (can be load-bearing as per class)	Strong but brittle	Very strong and ductile	Moderate
<b>Corrosion Resistance</b>	100% corrosion-free	Prone to rust	Rust-resistant, not 100%	Can degrade due to moisture
<b>Maintenance</b>	Zero or minimal	Requires regular painting/coating	Some maintenance	Cracks easily - high maintenance
<b>Theft Risk</b>	No resale value (non-metallic)	High (sold as scrap)	Medium (scrap value exists)	Low
<b>Cost</b>	Medium (but value for long life)	Low to medium	Medium to high	Low
<b>Customizable Design</b>	Easy (size, color, logo, load class)	Limited	Limited	Difficult
<b>Weather Resistance</b>	Excellent (UV, water, chemicals)	Poor	Good	Poor

# COVERING THE FUTURE: STRONG, LIGHTWEIGHT & RELIABLE

Unlock the Strength , Durability & Quality of our  
revolutionary Edgeover FRP Manholes Brand

WHY	WHERE
Light weight , Durable & Aesthetic	Pedestrain walkways,
Highly Safe : Electrical non conductive	Footpath , Side walkways , Parks & Landscape
Easy installation	Residancial Area
Its sutable in high temp weather	Comercial complex
UV Stabilised	Malls , Hotels , Maltiplex , Indoors facilities & Stadium
Zero scrape valvue so free from theft	Light vehical movement area
Periodical painting not required	Utility chamber & Underground telecommunication
Chemical resistance	Underground Electrical maintenance chamber
Erosion & corrosion free	Inspection chamber
Water proof	Car parking Area
Very high life span with Zero maintenance	Drainage system

# INSTRUCTION OF INSTALLATION

Do	Don't
<b>Use proper capacity manholes based on requirements</b>	<b>Never use Lw capacity manholes in heavy vehicle movement area</b>
<b>While installation of frame bottom side full support to be required</b>	<b>Frame is not bearing so never provide half support in bottom of frame</b>
<p>Where, 1 = Manhole cover 2 = Frame</p> 	<p>Where, 1 = Manhole cover 2 = Frame</p> 

# OUR PRODUCTION FACILITY

# 10



Experience the power of  
*strength*



Available  
— Now —



**CONTACT US**



Phone : +91-9825258152

Email : [info@edgeoverexports.com](mailto:info@edgeoverexports.com)

website : [www.edgeoverexports.com](http://www.edgeoverexports.com)

location : 203, Convention Centre, Ramkrishna  
Nagar Main Road, Rajkot 360002, Gujarat India

[www.edgeoverexports.com](http://www.edgeoverexports.com)

# THANK YOU



Thank you for reviewing our FRP manhole cover solutions.

We are fully equipped and export-ready to serve international infrastructure needs.

All our products are lab-tested, certified, and customizable for global standards.

We look forward to building lasting partnerships across borders.

